



LARGE BORE ELBOW

REQUIRED TOOLS:



GLOVES



SAFETY GLASSES



SIZING CHART



BANDING



SCREWS

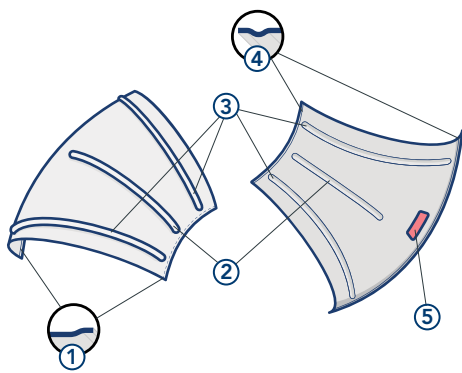


BUNGEE CORD



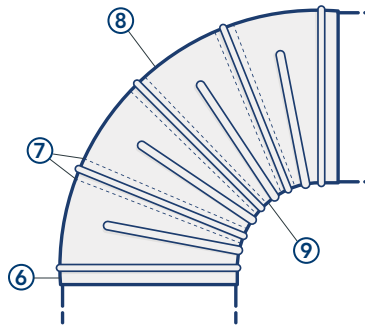
SEALANT

PARTS KEY:



OUTSIDE PIECE
(green label/with lip)

INSIDE PIECE
(pink label/with bead)



SECTION OF PIPE

1. Lip on outside pieces
2. Reinforcing Rib
3. Alignment Rib
4. Bead on inside pieces
5. Label indicating inside & outside pieces
6. +/- 2" overlap to straight jacketing
7. Overlap of elbow fitting segments (in watershed fashion)
8. Heel
9. Throat

1

Identify the right size using the sizing chart provided by supplier or visit Ideal Products' resource page at www.idealproducts.ca.

2

Take out of box and identify outside (green label with lip) and inside (pink label with bead) pieces. Refer to sizing chart to find the number of pieces you require. No need to bead or crimp.

CONT'D ON BACK



3

Install the inside piece (pink label w/ bead) against the elbow throat (a), then the heel (b). Place the outside piece (green w/ lip) over the inside piece, ensuring the bead of the inner piece stays inside. Ensure seams are in a watershed fashion. If there's excess overlap at the throat, slide the outside piece towards the heel.

! For installations with **2 pieces**, go to **step 7**.
For installations with **4 or more pieces**, go to **step 4**.

4

Temporarily tighten pieces with straps or bungee cords.

5

Put the 2nd inner piece over the 1st inner piece and tuck it under the 1st outer piece. Adjust until the alignment ribs match. Ensure circumferential seams are in a watershed fashion.

6

If you've installed all pieces, go to **step 7**.
If there are more pieces, **repeat steps 4 to 6** until all pieces are in place.

Place the 2nd outer piece over the 1st outer piece and 2nd inner piece. Ensure the bead of the 2nd inner piece is inside. Adjust until the alignment ribs match. Ensure circumferential seams are in a watershed fashion.

7

Ensure all pieces are in place before proceeding with this step.

Secure as per specifications with strapping and/or screws with non-bond washers. Use at least 3 bands per elbow segment. Seal seams with owner approved sealant.

TABLE ONE:
Number of Pieces Needed for Each Pipe Size & Degree

2 Pieces (1 inner, 1 outer)	45°	12x2½, 12x3, 12x3½, 12x4, 12x4½, 12x5, 12x5½, 12x6, 12x6½, 12x7, 14x1, 14x1½, 14x2, 14x2½, 14x3, 14x3½, 14x4, 14x4½, 14x5, 14x5½, 14x6, 14x6½, 14x7, 16x1, 16x1½, 16x2, 16x2½, 16x3, 16x3½, 16x4, 16x4½
4 Pieces (2 inner, 2 outer)	90°	16x3½, 3x5, 3x5½, 4x4½, 4x5, 4x5½, 4½x4
4 Pieces (2 inner, 2 outer)	45°	16x5, 16x5½, 16x6, 16x6½, 16x4, 18x1, 18x1½, 18x2, 18x2½, 18x3, 18x3½, 18x4, 18x4½, 18x5, 18x5½, 18x6, 18x6½, 20x1, 20x1½, 20x2, 20x2½, 20x3, 20x3½, 20x4, 20x4½, 20x4, 20x4½, 20x5, 20x5½, 20x6, 20x6½, 20x7, 24x1, 24x1½, 24x2, 24x2½, 24x3, 24x3½, 24x4, 24x4½, 24x4, 24x4½, 24x5, 24x5½, 24x6, 24x6½, 24x7, 30x1, 30x1½, 30x2, 30x2½, 30x3, 30x3½, 30x4, 30x4½, 30x4, 30x4½, 30x5, 30x5½, 30x6, 30x6½
8 Pieces (4 inner, 4 outer)	90°	

